

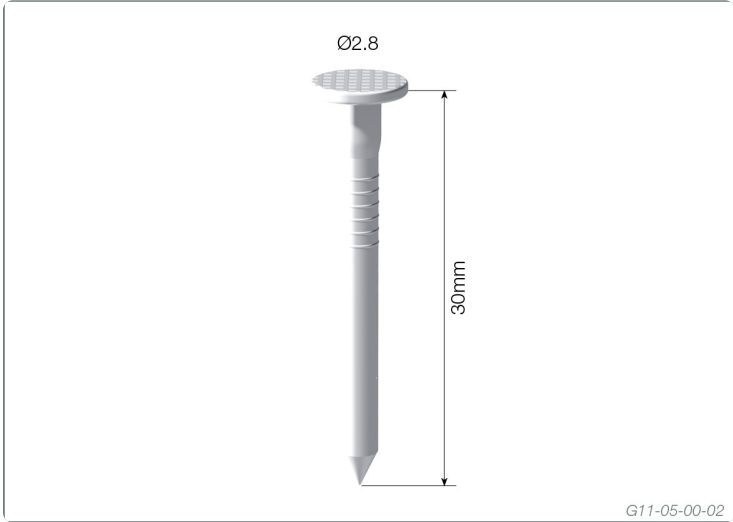
Stainless Steel Nails



G11-05-00-01

DESCRIPTION AND PACKAGING

Description	Product Code	Reference Code	Carton quantity	Carton kg.
30 x 2.8	TA302	N30280	2000	3.4
33 x 3.15	TA303	N30315	2000	3.4



G11-05-00-02

Due to continual product improvement Multinail Australia Pty Ltd. reserves the right to change the product/s depicted - both in description and specification. This document has to be read in conjunction with Multinail's Technical Manual.