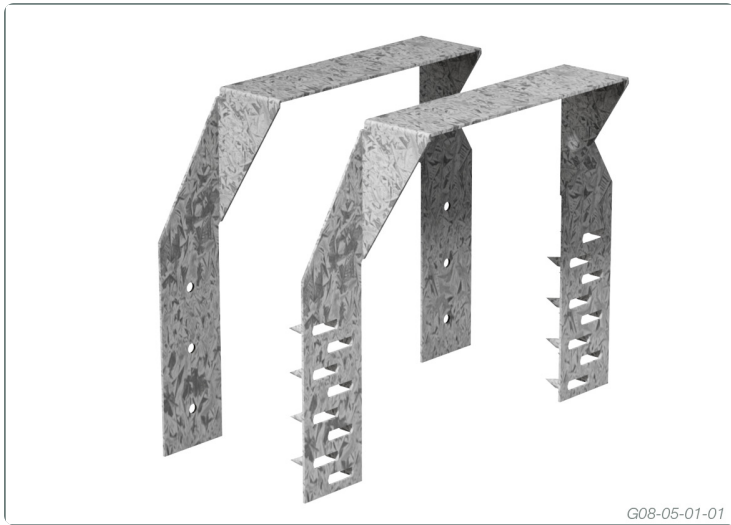


Purlin Tie

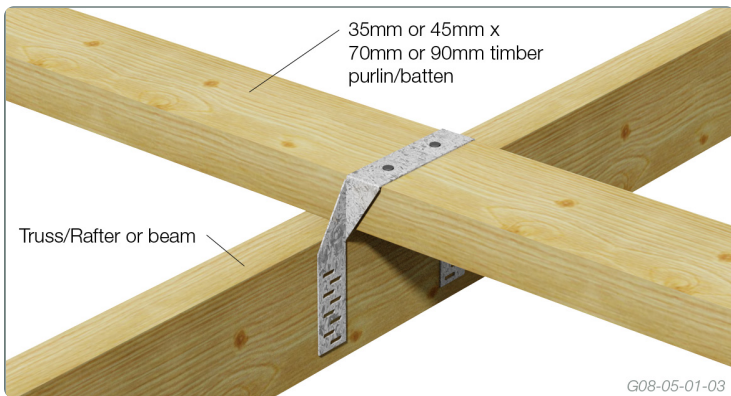


G08-05-01-01

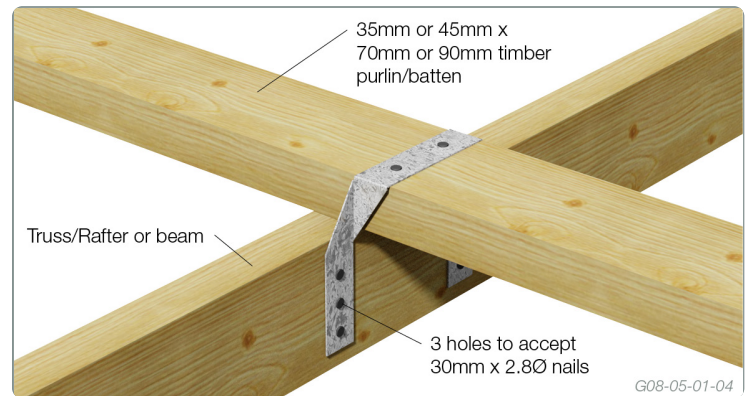
Strong timber connector for fixing large timber purlins and battens to trusses and rafters

Pre-punched and formed galvanised steel connectors that are:
Easy to install and provide an effective method of fixing large timber purlins to timber roof trusses or rafters.

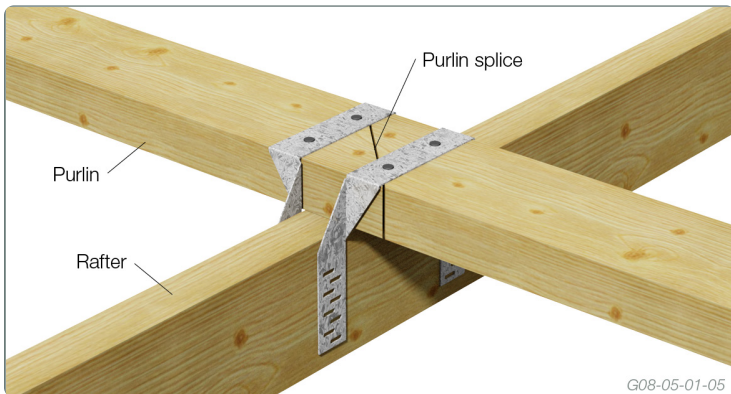
APPLICATION



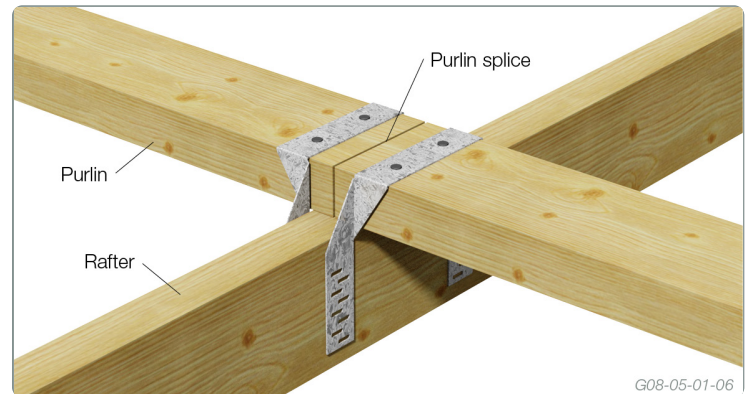
G08-05-01-03



G08-05-01-04



G08-05-01-05



G08-05-01-06

Purlin splice

Fixing per leg	Allowable wind load per purlin tie (kN)					
	Unseasoned Timber			Seasoned Timber		
	J2	J3	J4	JD3	JD4	JD5
3 Nails	5.4	3.8	2.7	5.4	3.8	3.1
With teeth	5.7	5.7	5.7	5.7	5.7	5.7

*Values in the table are for ONE 40mm or 80mm Purlin Cleat only

Fixing procedure with nails

1. Fix purlin batten to the truss or rafter with 2/75mm x 3.05Ø nails.
2. Nail both ends of the Purlin Tie to the truss or rafter
3. Use 3/30mm x 2.8Ø Multinail nails to each leg.

- Provide 2 purlin ties at purlin splices

Fixing procedure with teeth

1. Fix purlin batten to the truss or rafter with 2/75mm x 3.05Ø nails.
2. Hammer both sides of Purlin Tie teeth into rafter

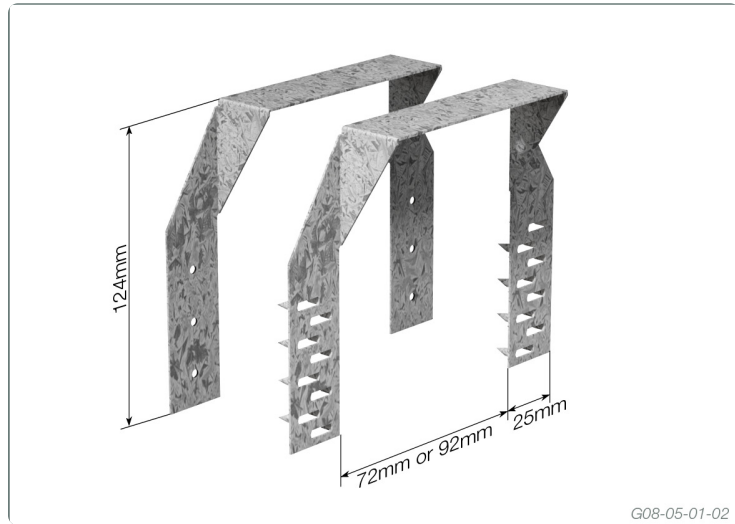
- Provide 2 purlin ties at purlin splices

NOTE: The capacities are derived from AS1720-2010 and are for uplift in houses where failure is unlikely to affect an area greater than 25m². For primary elements in structures other than houses or elements in a house for which failure would be greater than 25m² these capacities must be multiplied by 0.94. For primary joints in essential services or post disaster buildings multiply by 0.88. For 2/Purlin Tie the table values can be doubled.

DESCRIPTION AND PACKAGING

Manufactured from 1.0mm Galvanised G300 Z275 Steel

Description	Product Code	Reference Code	Carton quantity	Carton kg.
With nail holes 70mm	TA99	PTN70	200	13.5
Without nail holes 70mm	TA991	PTWH70	200	13.5
With Teeth 70mm	TA993	PTT70	100	7.1
With Teeth 90mm	TA994	PTT90	100	7.1
35mm Green Tip #12 Screw (TA221)				



G08-05-01-02

Due to continual product improvement Multinail Australia Pty Ltd. reserves the right to change the product/s depicted - both in description and specification. This document has to be read in conjunction with Multinail's Technical Manual.