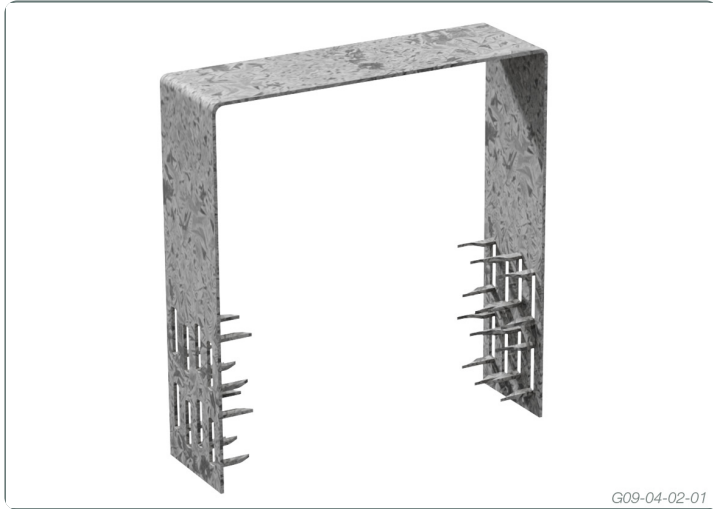


Press Stud Tie



Formed galvanised steel connector designed to provide an effective means of fastening top and bottom wall plates to studs in high wind areas

These formed galvanised steel connectors:

Incorporates preformed teeth and/or nails making it quick and easy to apply.

Eliminates timber splitting as the preformed teeth and/or nails are positioned away from timber ends and edges.

Provides greater tie-down strength as it is driven into the side grain of timber to resist wind uplift in lateral shear.

APPLICATION



Step 1

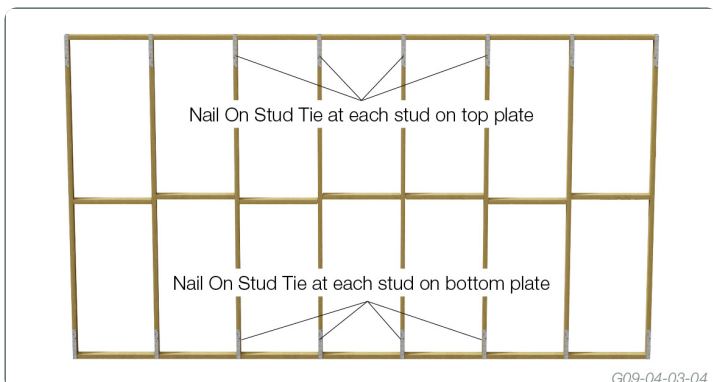
Position the Press/Stud Tie over the wall plate and stud and hold firmly.



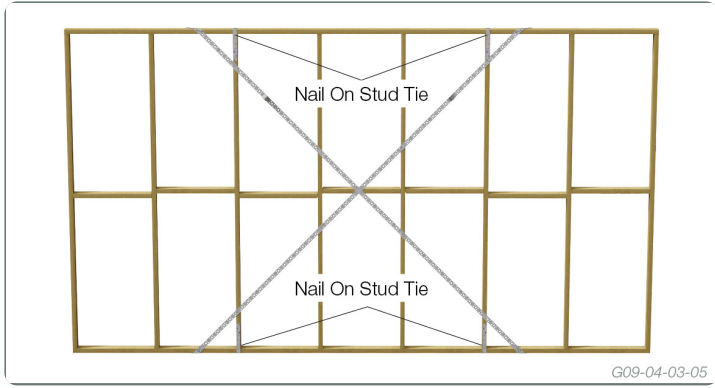
Step 2

Hammer the preformed teeth into both sides of the timber wall stud.

TYPICAL TIE-DOWN USE



TYPICAL WALL BRACE USE



LIMITED STATE DESIGN LOADS

The following table gives the recommended Wind Uplift Limit State Design capacities for the Multinail Stud Ties. These capacities are dependent upon the joint group of the timber to which the Multinail Stud Ties are affixed.

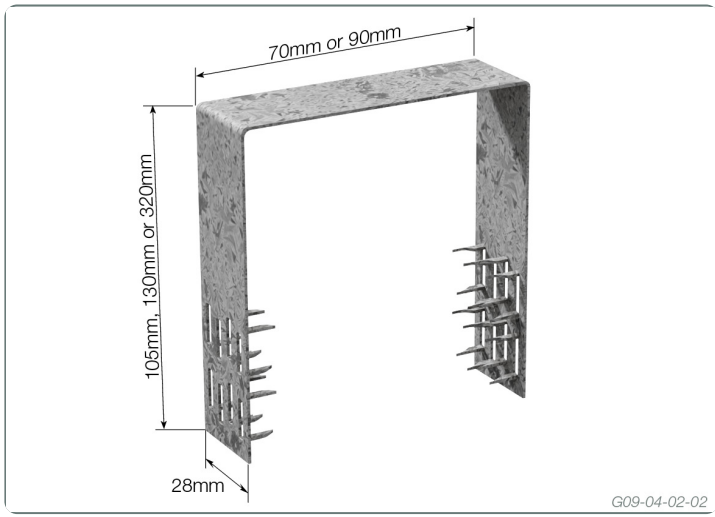
Design Capacity (kN) per Press Stud Tie					
Unseasoned Timber			Seasoned Timber		
J2	J3	J4	JD3	JD4	JD5
9.9	9.9	6.1	9.9	7.6	6.1

NOTE: The capacities are derived from AS1720-2010 and are for uplift in houses where failure is unlikely to affect an area greater than 25m². For primary elements in structures other than houses or elements in a house for which failure would be greater than 25m² these capacities must be multiplied by 0.94. For primary joints in essential services or post disaster buildings multiply by 0.88.

DESCRIPTION AND PACKAGING

Manufactured from 28 x 1.0mm Galvanised G300 Z275 Steel

Description	Product Code	Reference Code	Carton quantity	Carton kg.
Press/Stud Ties (L x W x L)				
105 x 70 x 105	TA111	PST105070	120	8.0
105 x 90 x 105	TA113	PST105090	120	8.5
130 x 70 x 130	TA110	PST130070	120	9.0
130 x 90 x 130	TA112	PST130090	100	8.5



Due to continual product improvement Multinail Australia Pty Ltd. reserves the right to change the product/s depicted - both in description and specification.
This document has to be read in conjunction with Multinail's Technical Manual.