



# Mitre Saw

For more information please visit  
[www.multinailmachinery.com](http://www.multinailmachinery.com)

155 Burnside Rd · STAPYLTON · QLD 4207 Australia  
T: + 61 (0)7 3297 3280 · F: + 61 (0)7 3382 0741  
E: [enquiry@multinailmachinery.com](mailto:enquiry@multinailmachinery.com) · W: [www.multinailmachinery.com](http://www.multinailmachinery.com)





# Mitre Saw



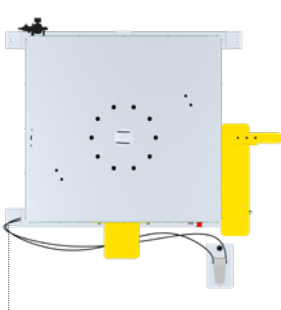
Precut Member



With Mitre cut

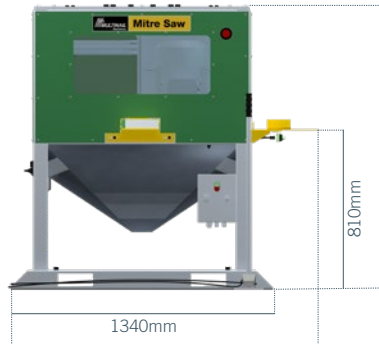


Top view



1570mm

Front view



1340mm  
1570mm

810mm  
1460mm



## Used for:

The Multinail Machinery Mitre Saw is designed to perform a double mitre cut on the end of timber components that are angled between 0 - 45°

## Specifications

Overall Width	1574mm
Overall Height	1454mm
Overall Length	1636mm
Working Height	824mm
Weight	~650 kg
Operational Noise	92.8 dB (free running) 98.1 dB (Working)
Timber Feed	Front
Air Supply	6-8 Bar (600-800 kPa)
Max Height of Timber to be cut	45mm
Max Width of Timber to be cut	190mm (or 2 x pieces of 95mm)
Angle of Mitre Cut	0 - 45°
Saw Blade	138mm Dia
Saw Arbor	38mm Dia
Arbor Motor	7.5 kW (10hp) 12.60 amps, full load current 2900 RPM
Power Requirement	3PH / 415V / 50Hz 25 Amp 480V 3 Phase

## Features

- Single pass double mitre saw that removes operator from cutting area
- Foot switch operated for maximum flexibility
- Manual angle setting with pneumatic position locking
- 5mm Insert plate for quick change to 35mm components
- Vertical and horizontal clamps to hold timber while mitring
- Robust linear slide and slew ring mechanical components
- Rear dust removal point
- 2m roller table for support of long members

## Options

- Additional blades
- Single roller support stands
- Left hand or right hand configuration