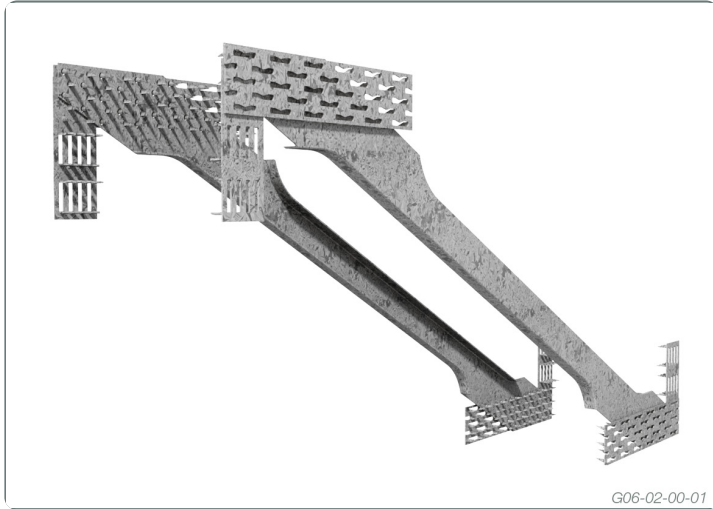


## SteelWood



Available in left and right profiles, Steelwood webs are strong, reliable connectors for manufacturing parallel webbed members.

These pre-punched and formed galvanised steel timber connectors are:

An economical way of achieving a strong, rigid structural member.

Quick and easy to manufacture with.

Available in left hand and right hand.

Able to carry high loads.

Come in a variety of depths.

### MOST COMMONLY USED STEELWOOD

Floors With 1.5kPa Loading				
SteelWood nominal size	Overall depth	Timber size	450 centres (MGP10)	600 centres (MGP10)
SW300-35	300	35 x 90	6000	5000
SW300-45	300	45 x 90	6400	5400
SW350-45	350	45 x 90	6200	5800
SW360-45	300	45 x 90	6400	6000
SW400-45	413	45 x 90	6600	6400
SW460-45	458	45 x 90	7800	7000
SW560-45	560	45 x 90	8600	7800
SW660-45	662	45 x 90	9400	8200

Floors With 3kPa Loading				
SteelWood nominal size	Overall depth	Timber size	450 centres (MGP10)	600 centres (MGP10)
SW300-35	300	35 x 90	4200*	3200*
SW300-45	300	45 x 90	4600	3400
SW350-45	350	45 x 90	4800	4200
SW360-45	360	45 x 90	5000	4400
SW400-45	413	45 x 90	5600	4600
SW460-45	458	45 x 90	5800	4600
SW560-45	560	45 x 90	6400	5600
SW660-45	662	45 x 90	6800	6000

SteelWoods can be produced with 35mm or 45mm top chords and bottom chords. Loads as high as 5kPa, and 7.5 kPa can be designed as required.

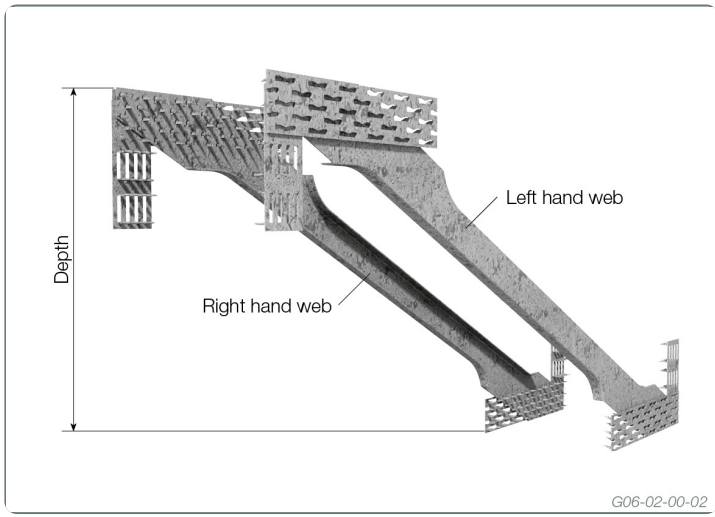
\* Minimum 90 x 35 - MGP 12 TC required due to 2.7 kN point live load.

Note: Spans and depths can vary depending on the size and grade of the timber selected. As the loads increase over 3kPa the thickness and grade of timber flooring panels will also increase.

## DESCRIPTION AND PACKAGING

Manufactured from 1.0mm Galvanised G300 Z275 Steel

Description	Product Code	Reference Code	Carton quantity	Carton kg.
<b>Nominal Depth - 35mm Chords† L-Shape</b>				
Webs 250mm-35mm	SWW-250-35	SW25035	20	6.0
Webs 250mm-35mm	SWW-250-35LP	SW25035-P	500	150
Webs 300mm-35mm	SWW-300-35	SW30035	20	8.2
Webs 300mm-35mm	SWW-300-35LP	SW30035-P	500	205
Webs 350mm-35mm	SWW-350-35	SW35035	20	9.2
Webs 350mm-35mm	SWW-350-35LP	SW35035-P	500	230
Webs 360mm-35mm	SWW36035	SWW36035	20	8.7
Webs 360mm-35mm	SWW36035-P	SWW36035-P	500	217.5
Webs 400mm-35mm	SWW-400-35	SW40035	20	10.4
Webs 400mm-35mm	SWW-400-35LP	SW40035-P	500	260
<b>Nominal Depth - 45mm Chords* L-Shape</b>				
Webs 200mm-45mm	SWW-200-45	SW20045	20	5.2
Webs 200mm-45mm	SWW-200-45LP	SW20045-P	500	130
Webs 250mm-45mm	SWW-250-45	SW25045	20	5.6
Webs 250mm-45mm	SWW-250-45LP	SW25045-P	500	140
Webs 300mm-45mm	SWW-300-45	SW30045	20	7.8
Webs 300mm-45mm	SWW-300-45LP	SW30045-P	500	195
Webs 350mm-45mm	SWW-350-45	SW35045	20	8.8
Webs 350mm-45mm	SWW-350-45LP	SW35045-P	500	220
Webs 360mm-45mm	SWW36045	SWW36045	20	9.1
Webs 360mm-45mm	SWW36045-P	SWW36045-P	500	226
Webs 400mm-45mm	SWW-400-45	SW40045	20	10.0
Webs 400mm-45mm	SWW-400-45LP	SW40045LP	500	250
<b>T-Shape</b>				
Webs 460mm-45mm	SWW-460-45	SW46045	20	10.4
Webs 460mm-45mm	SWW-460-45LP	SW46045-P	500	260
Webs 560mm-45mm	SWW-560-45	SW56045	20	11.2
Webs 560mm-45mm	SWW-560-45LP	SW56045-P	500	280
Webs 660mm-45mm	SWW-660-45	SW66045	20	11.4
Webs 660mm-45mm	SWW-660-45LP	SW66045-P	500	285



---

Due to continual product improvement Multinail Australia Pty Ltd. reserves the right to change the product/s depicted - both in description and specification.  
This document has to be read in conjunction with Multinail's Technical Manual.