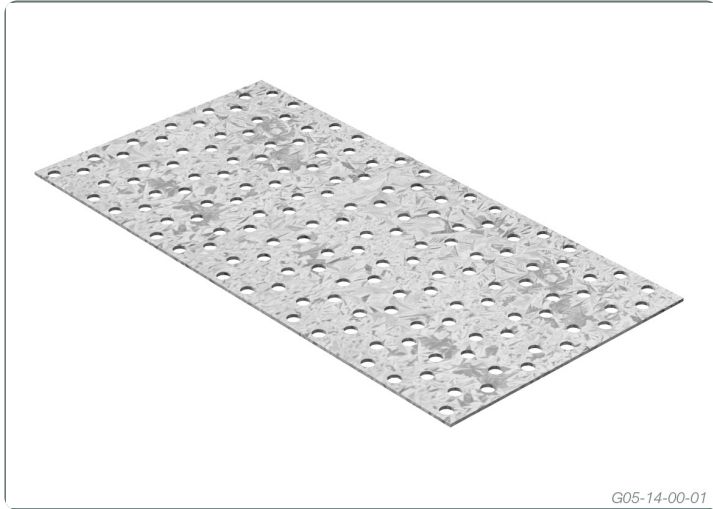


Nail On Plate

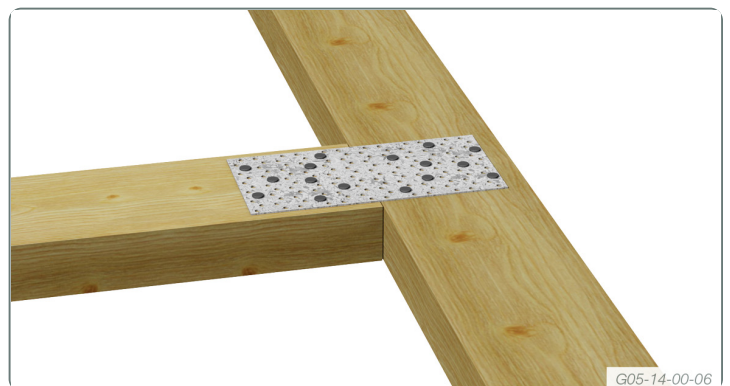
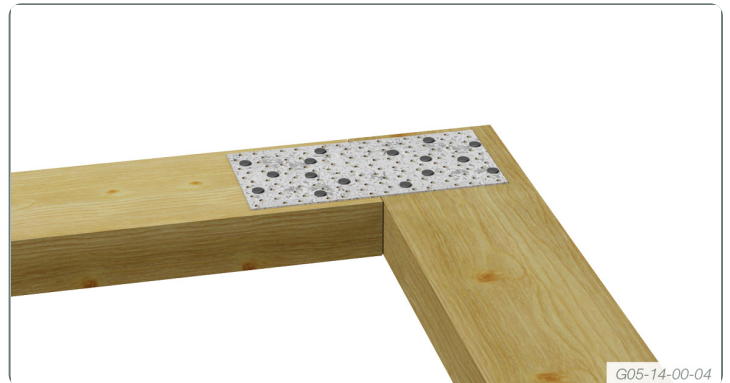


Strong timber connector for joining larger timber sections

These pre-punched and formed galvanised steel timber connectors are ideal for:
Joining timber side by side and for butting timber members together.
Formwork, house frames and joining wall frames at top plate level.
Strengthening and repairing timber structures on site.

TYPICAL APPLICATIONS

Nail On Plates are ideal for home construction, extensions, garages and agricultural constructions. Strength is obtained by nailing 30 x 2.8mm Multinail nails through the holes.



LIMIT STATE DESIGN LOAD

Steel Design Capacity
for two (2) plates: (N/mm)
Tension: 330
Shear: 255

Limit State Design Capacity (N/effective nail)						
JOINT GROUP	J2	J3	J4	JD3	JD4	JD5
Dead Load	541	387	273	541	387	317
Dead Load + Roof Live Load	730	522	369	730	522	428
Dead Load + Wind Load	1085	776	548	1085	776	633

NOTES:

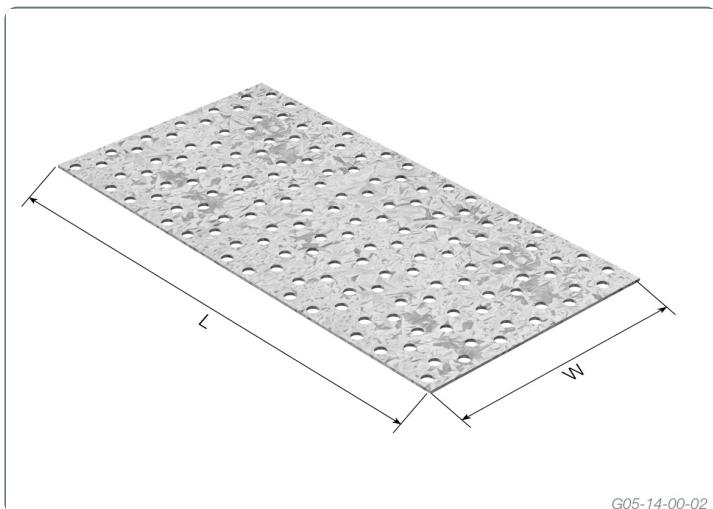
- Nails must be placed no closer than 50mm along the grain.
- Nails must be placed no closer than 15mm across the grain.
- Minimum nail distance to edge of timber is 15mm.
- Minimum nail distance to end of timber is 50mm.

NOTES: The uplift in capacities are derived from AS1720-2010 and are for houses where failure is unlikely to affect an area greater than 25m². For primary elements in structures other than houses or elements in a house for which failure would be greater than 25m² these capacities must be multiplied by 0.94. For primary joints in essential services or post disaster buildings multiply by 0.88.

DESCRIPTION AND PACKAGING

Manufactured from 1.0mm Galvanised G300 Z275 Steel

Description	Product Code	Reference Code	Carton quantity	Carton kg.
64 x 150 x 1.0	TA107	NOP064150	100	8.3
75 x 150 x 1.0	TA103	NOP075150	50	5.0
75 x 200 x 1.0	TA98	NOP075200	50	6.6
75 x 375 x 1.0	TA265	NOP075375	20	5.0
100 x 200 x 1.0	TA108	NOP100200	50	8.8
125 x 150 x 1.0	TA109	NOP125150	50	8.2
125 x 200 x 1.0	TA100	NOP125200	50	11.0
150 x 200 x 1.0	TA101	NOP150200	30	8.0
30mm x 2.8Ø Multinail Nails (TA302)				



Due to continual product improvement Multinail Australia Pty Ltd. reserves the right to change the product/s depicted - both in description and specification.
This document has to be read in conjunction with Multinail's Technical Manual.