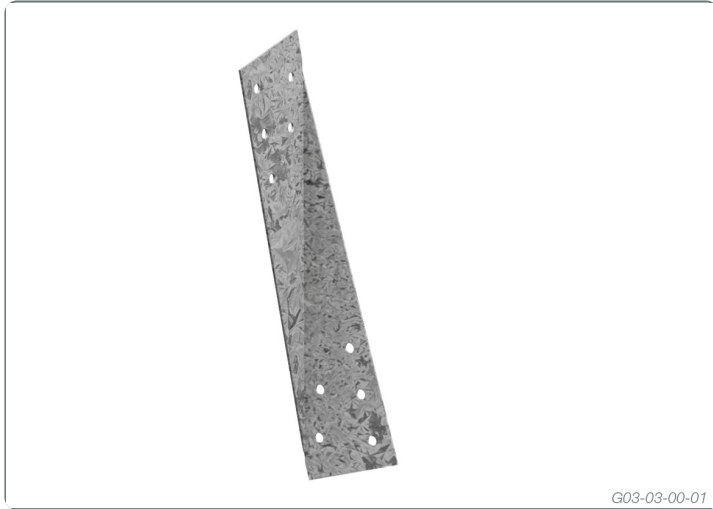


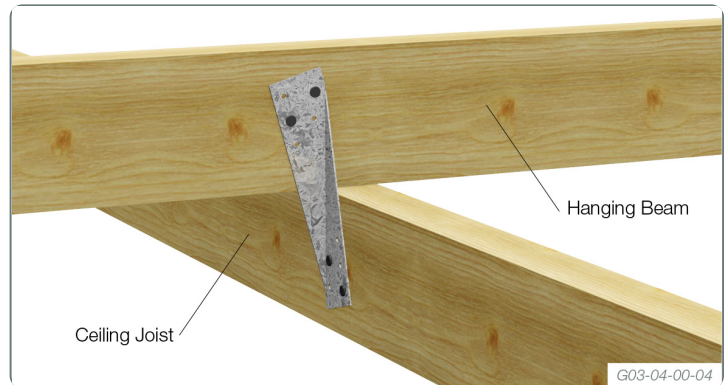
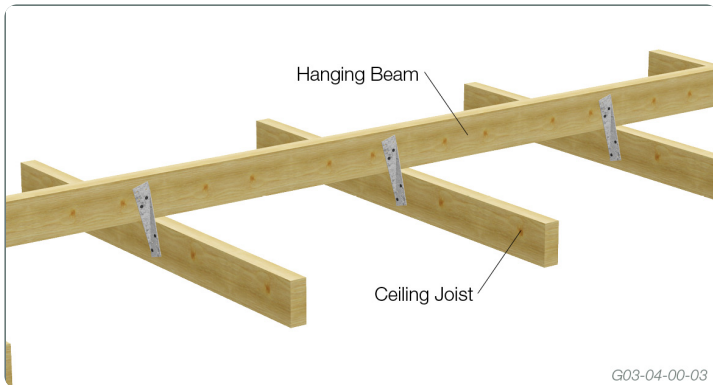
## Joist Tie



Pre-punched, formed galvanised steel connector ideal for securing joist to hanging beams in conventional roof types

These pre-punched and formed galvanised steel timber connectors:  
 Are quick and easy to install.  
 Provide sufficient capacity for conventional roof types.

### APPLICATION



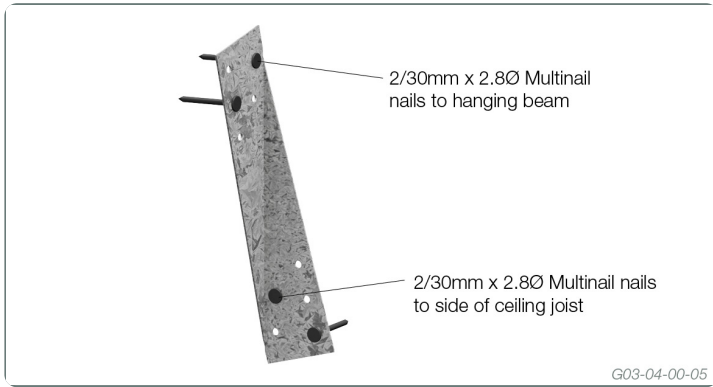
Ceiling joist spacing	Maximum ceiling load width, for Joist Tie with 2 nails per face (m)		
	600 centres	900 centres	1200 centres
	4.8	3.4	2.5

#### NOTE:

- Maximum spans are based on the support of a maximum ceiling mass of 12kg/m<sup>2</sup>
- Roof loads shall not be strutted onto ceiling joists
- Minimum joint group to be JD5
- Ceiling Joist Design referring to Roof Design or AS1684.2-2010 or AS1684.3-2010

## FIXING & BENDING

Joist Tie should be secured with minimum 2/30mm x 2.8Ø Multinail nails.



## LIMIT STATE DESIGN LOAD

The following table shows the recommended Limit State Design capacities for Multinail Joist Tie.

**NOTE:**

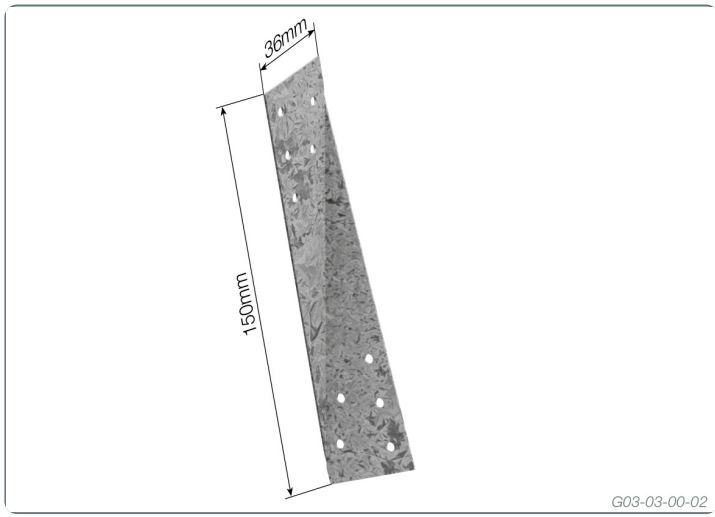
- If required, two Joist Ties can be fixed to one ceiling joist - one each side of hanging beam. Capacity may then be doubled.

Joint group	Capacity (kN) per Joist Tie			
	Dead load		Dead load + Wind Load	
	2 Nails	3 Nails	2 Nails	3 Nails
J2	0.9	1.3	2.1	3.2
J3	0.6	1.0	1.5	2.3
J4	0.4	0.7	1.1	1.6
JD3	0.9	1.3	2.1	3.2
JD4	0.6	1.0	1.5	2.3
JD5	0.5	0.8	1.3	1.9

## DESCRIPTION AND PACKAGING

Manufactured from 1.0mm Galvanised G300 Z275 Steel

Description	Product Code	Reference Code	Carton quantity	Carton kg.
150x36	TA025	JT-400	400	16.0
30mm x 2.8Ø Multinail Nails (TA302)				



G03-03-00-02

---

Due to continual product improvement Multinail Australia Pty Ltd. reserves the right to change the product/s depicted - both in description and specification.  
This document has to be read in conjunction with Multinail's Technical Manual.