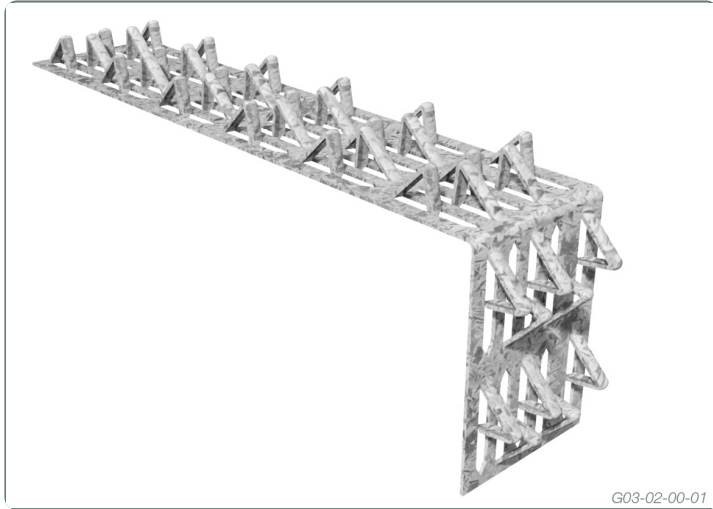


Bin Strap

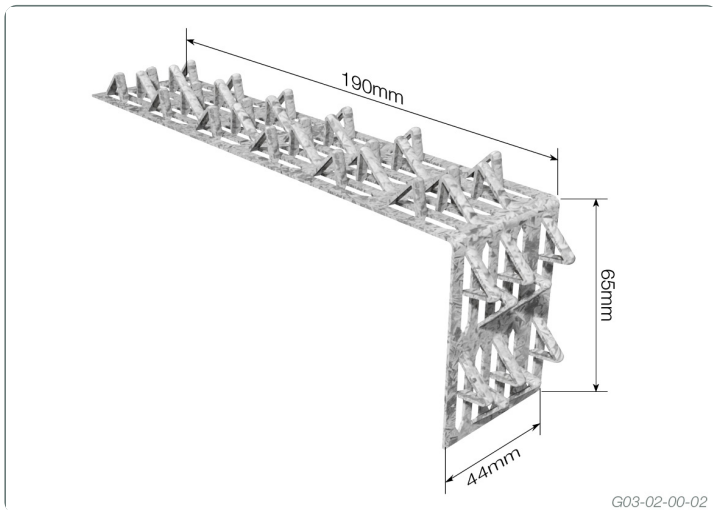


Multipurpose timber connector

DESCRIPTION AND PACKAGING

Manufactured from 1mm Galvanised G300 Z275 Steel

Description	Product Code	Reference Code	Carton quantity	Carton kg.
190 x 65 x 44mm	BS-100	BS-100	100	10.7



Due to continual product improvement Multinail Australia Pty Ltd. reserves the right to change the product/s depicted - both in description and specification. This document has to be read in conjunction with Multinail's Technical Manual.