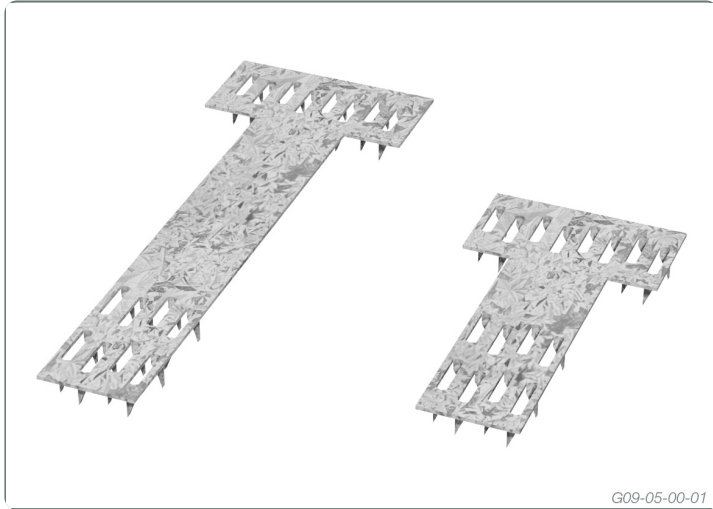


T-Plate



Pre-punched and formed galvanised steel connector engineered to provide a strong fixing between stud and plate

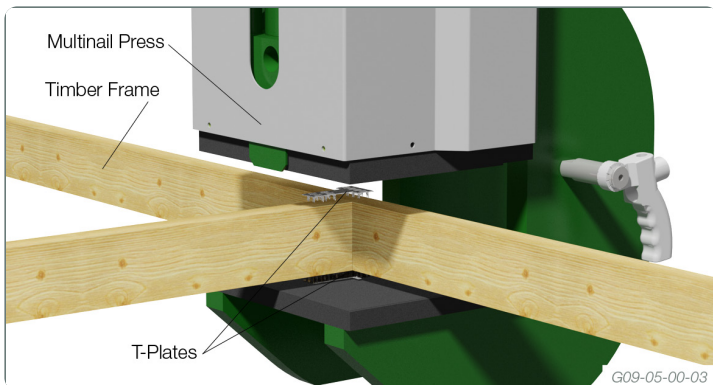
These pre-punched and formed galvanised steel timber connectors:

Provide a fixing that does not protrude from the frame to the same extent as traditional metal straps.

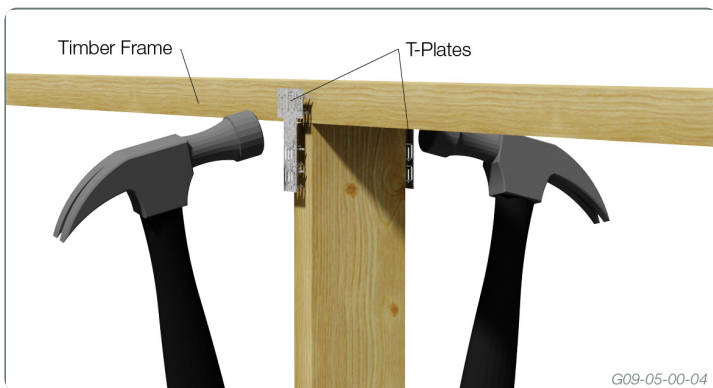
Provide a flatter surface for installing wall plasterboard.

Can be fixed to one side only - avoiding the necessity of a fixing underneath the bottom of the wall frame. .

TYPICAL APPLICATIONS



A single Multinail T-Plate is usually positioned on both sides of the frame and then mechanically pressed with a Multinail Press. The Multinail T-Plate is factory pressed to produce a positive, lasting connection.



A single Multinail T-Plate can also be hammered into both sides of the frame, allowing flexibility on-site.

TYPICAL USE



Bracing Panels:

T-Plates may be fixed to one side only, replacing the 30 x 0.8mm metal strap at corners of bracing panels (AS1684, Tables 8.18 c+d).



Tie Down / Bracing Walls

For tie down and bracing walls using angle brace, the T-Plate must be placed on the same side of the wall as the framing anchor, strap, etc.

WIND UPLIFT CAPACITY (JD4)

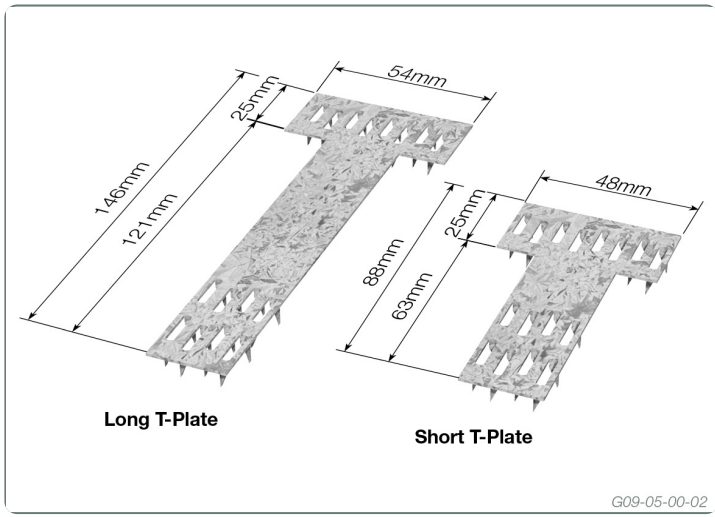
1 x T-Plate	2 x T-Plates
3.8 kN	7.6 kN

NOTE: The capacities are derived from AS1720-2010 and are for uplift in houses where failure is unlikely to affect an area greater than 25m². For primary elements in structures other than houses or elements in a house for which failure would be greater than 25m² these capacities must be multiplied by 0.94. For primary joints in essential services or post disaster buildings multiply by 0.88.

DESCRIPTION AND PACKAGING

Manufactured from 1.0mm Galvanised G300 Z275 Steel

Description	Product Code	Reference Code	Carton quantity	Carton kg.
Short T-Plate	TA003	TP088048	600	14.0
Long T-Plate	TA007	TP146054	250	10.1



Due to continual product improvement Multinail Australia Pty Ltd. reserves the right to change the product/s depicted - both in description and specification.
This document has to be read in conjunction with Multinail's Technical Manual.