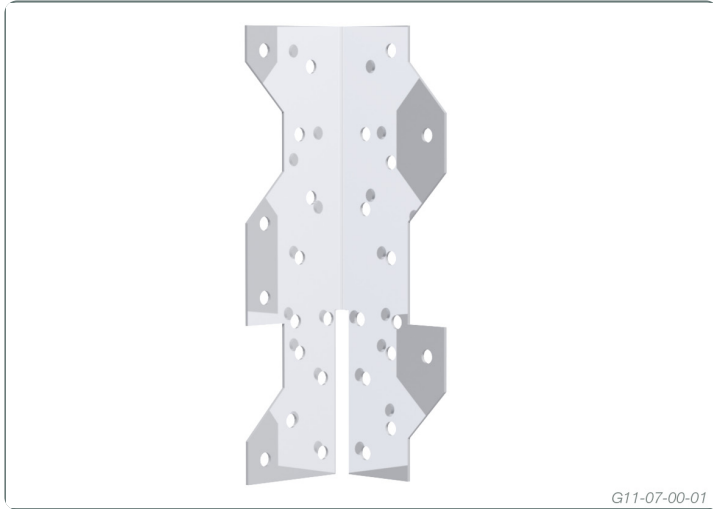


Stainless Steel Universal Grip



Universal connecting ancillary used to simplify structural joining in timber roof, wall, ceiling and floor framing

Pre-punched and formed stainless steel steel timber connectors ideal for:

Tying down trusses for structures located in an area of relatively low wind loading.

Suitable for connecting studs to wall plates, timber braces to roof trusses or for face fixing beams.

Joining timber components rapidly and efficiently.

TYPICAL APPLICATIONS

Option A



Jack fly overs to truncated truss



Ceiling joist to hanging beam.



Studs to bottom plates



Truss to top plate

Joint Group	Tie down Capacity (kN) per Multi Grip Dead load + Wind load
J2	4.3
J3	3.1
J4	2.2
JD3	4.3
JD4	3.1
JD5	2.5

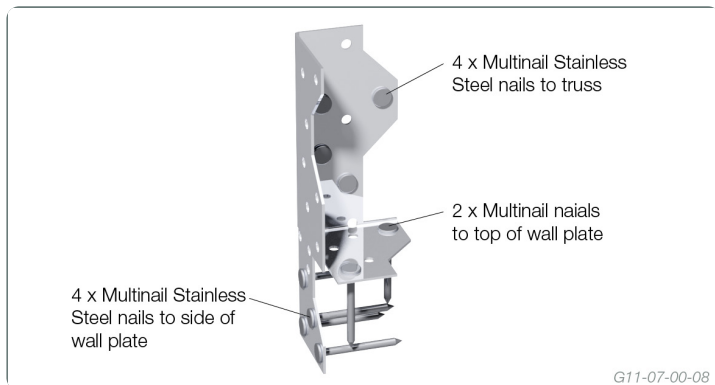
NOTE: The capacities are derived from AS1720-2010 and are for uplift in houses where failure is unlikely to affect an area greater than 25m². For primary elements in structures other than houses or elements in a house for which failure would be greater than 25m² these capacities must be multiplied by 0.94. For primary joints in essential services or post disaster buildings multiply by 0.88. The capacities are for structural joints for houses for which failure would be unlikely to affect a plan area greater than 25m².

For 2/Universal Grips the table values can be doubled.

Option B



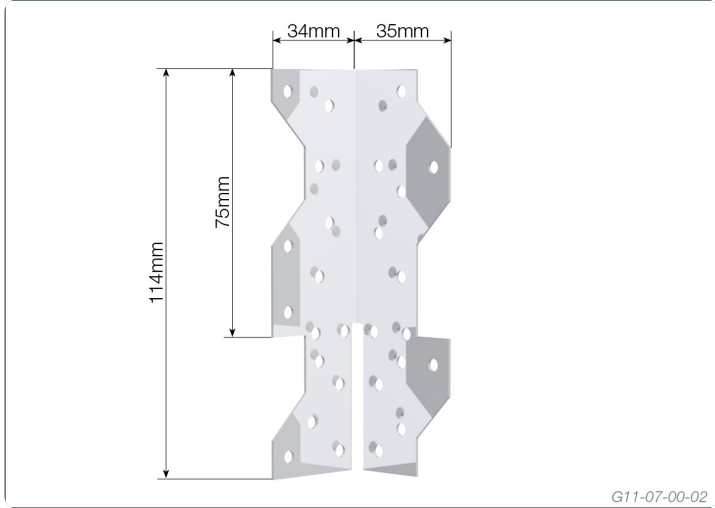
Joint group	Capacity (kN) per Universal Grip			
	Dead load	Dead load + Floor LL	Dead Load + Roof LL	Dead Load + Wind Load
J2	2.2	2.7	3.0	5.4
J3	1.6	2.0	2.1	3.8
J4	1.1	1.3	1.5	2.7
JD3	2.2	2.7	3.0	5.4
JD4	1.6	2.0	2.1	3.8
JD5	1.3	1.6	1.7	3.2



DESCRIPTION AND PACKAGING

Manufactured from 0.9mm Minimum Grade 316 Stainless Steel

Description	Product Code	Reference Code	Carton quantity	Carton kg.
Universal Grip	SUG	SUG	1	
30mm x 2.8Ø Multinail Stainless Steel Nails (SN30280)				



Due to continual product improvement Multinail Australia Pty Ltd. reserves the right to change the product/s depicted - both in description and specification. This document has to be read in conjunction with Multinail's Technical Manual.