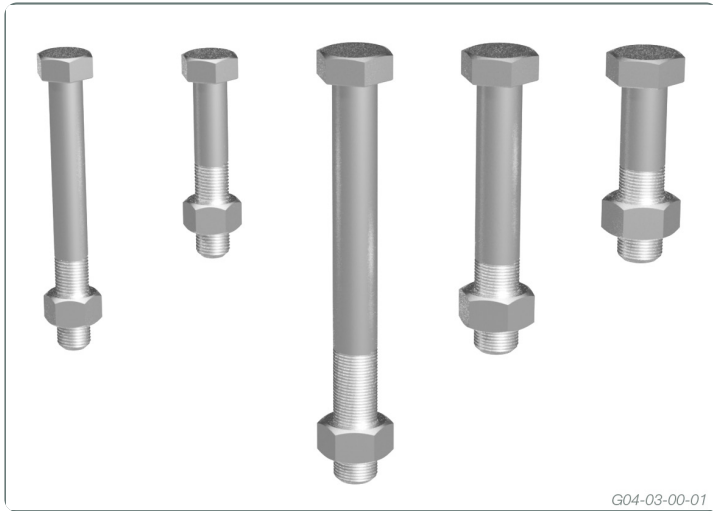


14 May 2020

Hex Head Bolts & Nuts



DESCRIPTION AND PACKAGING

Description	Product Code	Reference Code	Carton quantity	Carton kg.
12 x 65	TA091	HH12065	200	16
12 x 100	TA092	HH12100	150	16.5
12 x 100	TA092FT	HH12100FT	150	16.5
16 x 65	TA114	HH16065	100	16
16 x 100	TA115	HH16100	50	10
16 x 100	TA115FT	HH16100FT	50	10
16 x 150	TA089	HH16150	50	15

