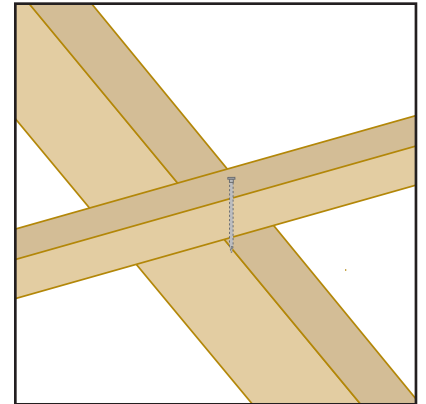
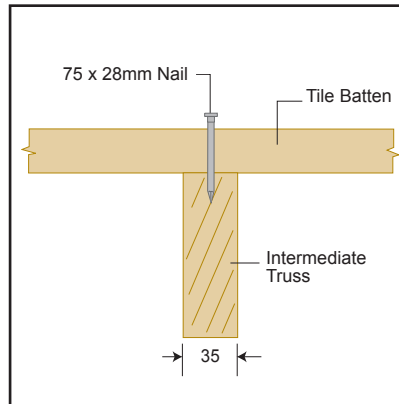


PLEASE READ THE FOLLOWING IN CONJUNCTION WITH AS4440 AND AS2050

BATTEN FIXING FOR INTERMEDIATE TRUSSES

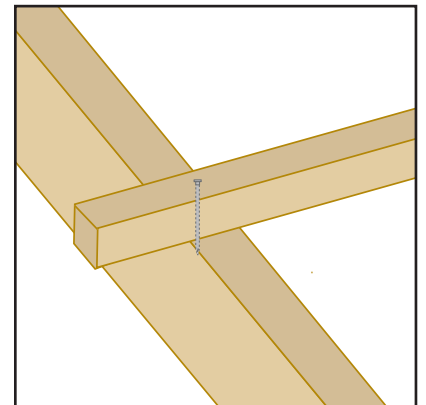
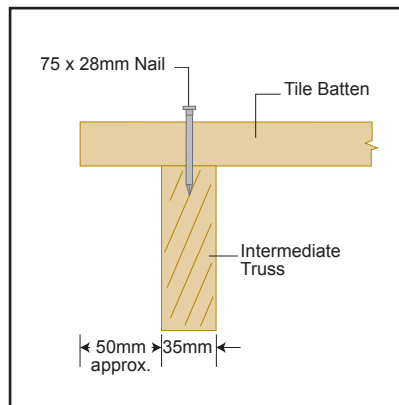
Batten to be fixed to Intermediate Truss using one (1) 75 x 2.8mm flat head nail at truss batten centres.



BATTEN FIXING FOR END TRUSS

Batten to be fixed to end of truss using one (1) 75 x 2.8mm flat head nails in each truss lamination.

Note:
Batten to extend at least 50mm beyond end truss

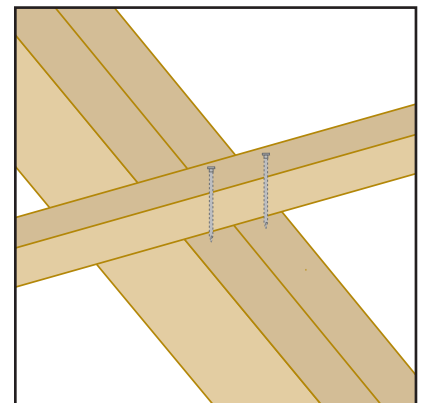
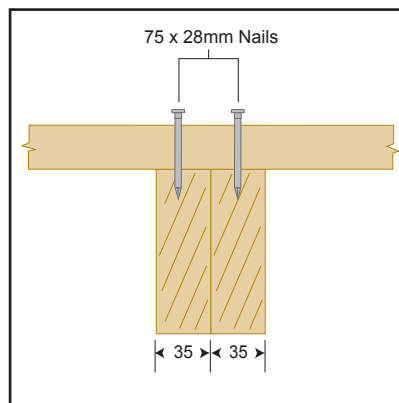


BATTEN FIXING FOR GIRDER TRUSSES AT 90° TO TRUSSES CARRIED (NO SPLICE)

Batten to be fixed to end of truss using one (1) 75 x 3.1mm flat head nail in each truss lamination.

Truss to be laminated together as per Multinail specifications.

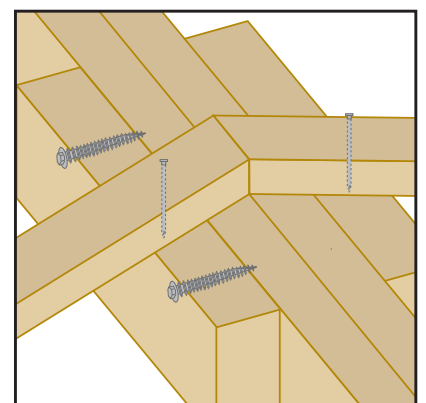
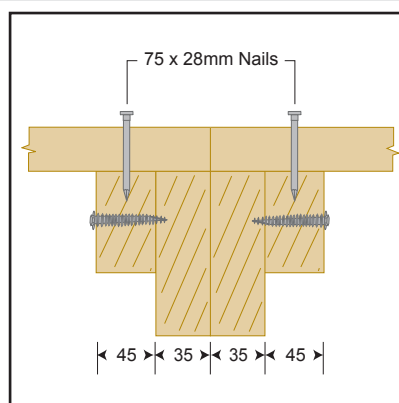
Note:
DO NOT splice batten at girder trusses



BATTEN FIXING FOR BOOMERANG TYPE TRUSSES

Using Green Tip screws at 300mm centres fix an additional timber member to the side of the Truss Top Chord - minimum 45 x 45-F5.

Nail the batten to the timber fixing with one (1) 75 x 2.8mm nail at each end and every batten meeting point.



NOTE: THESE DETAILS ARE FOR TRUSS STABILITY ONLY. FOR TIE-DOWN REFER TO AS1684.2